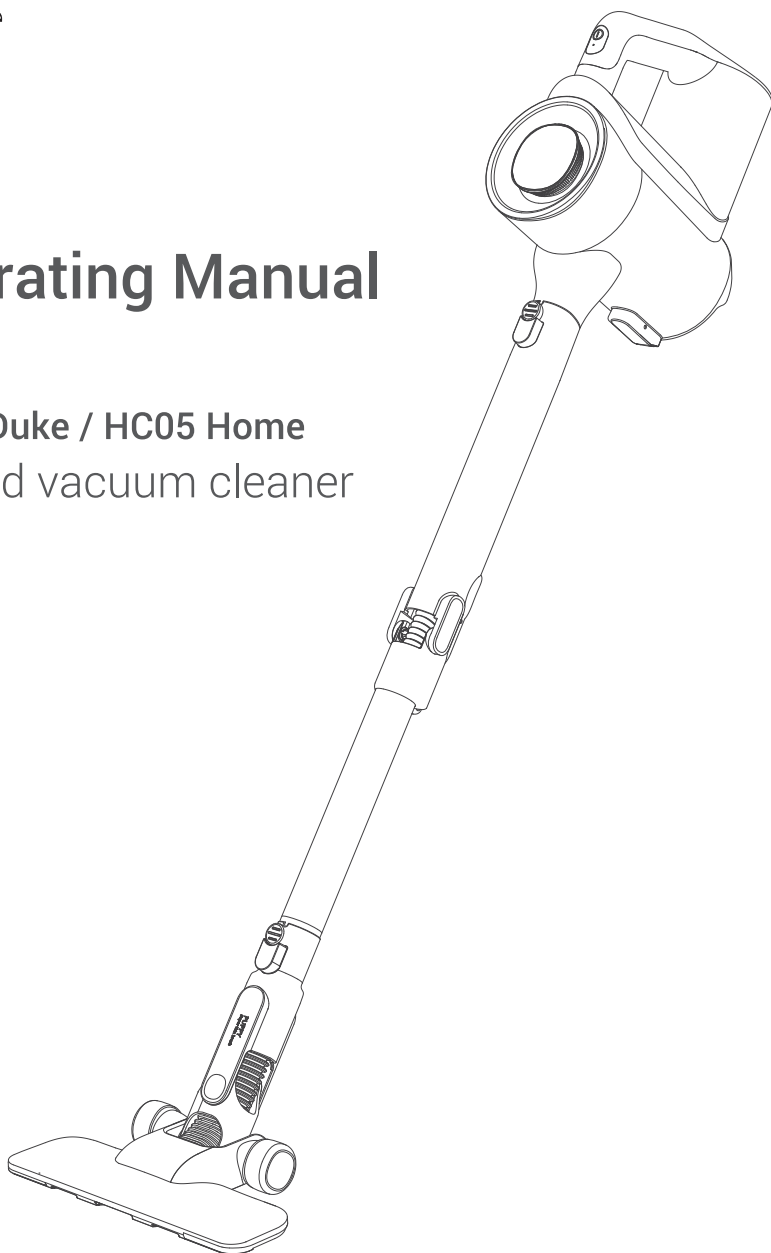




Operating Manual

HC05 Duke / HC05 Home
Corded vacuum cleaner



CONTENTS

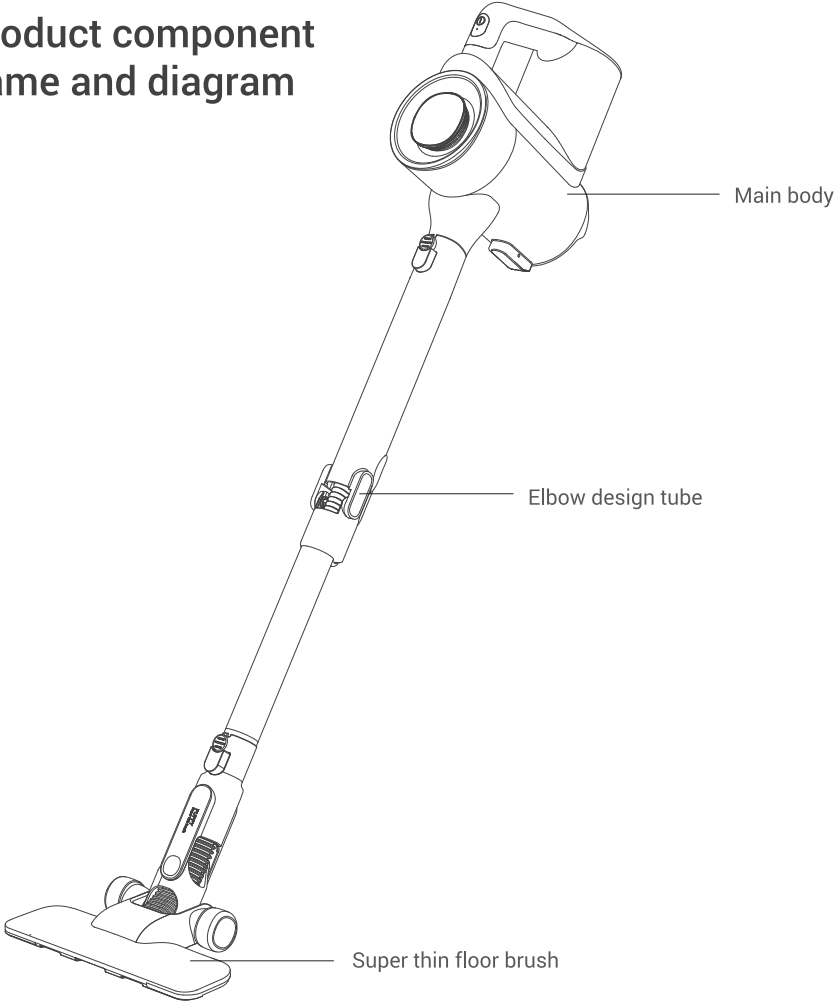
1. Product configuration list and diagram	01
2. Product specifications	03
3. Safety Advices & Cautions	03
3.1 About the manual	01
3.2 About the use mark in the manual	01
3.3 About the power supply	04
3.4 About child safety	04
3.5 About use range of product	05
3.6 Solution of the product issue	06
4. Product description	06
4.1 Product description	06
4.2 Operating instruction	09
5. Maintenance instructions	09
5.1 Daily maintenance	09
5.2 Analysis and treatment of common faults	12

1. Product configuration list and diagram

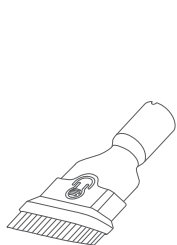
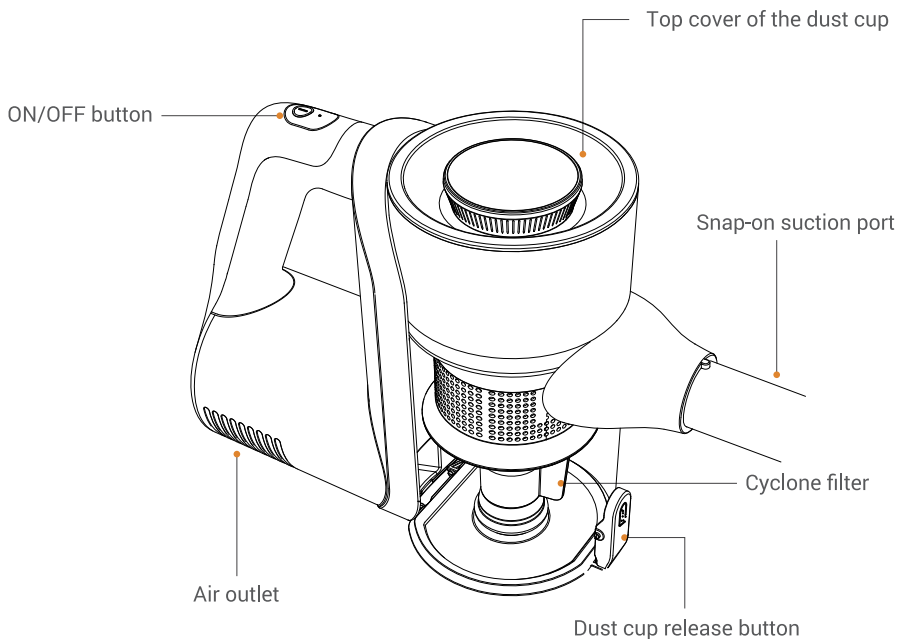
Dear customer, please refer to the table below to carefully check whether the accessories are complete.

Main body×1	Flat nozzle×1	Super thin floor brush×1
Elbow design tube×1	2 in 1 wide mouth brush×1	Manual×1

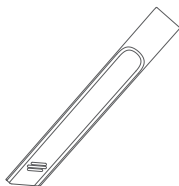
Product component name and diagram



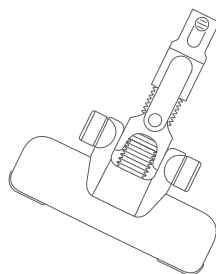
Product component name and diagram



2 in 1 wide mouth brush



Flat nozzle



Super thin floor brush



Elbow design tube

2. Product specifications

Product type	Vacuum cleaner
Model	HC05 Duke/HC05 Home
Rated voltage	220-240V~, 50-60Hz
Rated power	400-700W
Dust cup capacity	0.5L
Power cord	6.5m
Net weight (main body)	1.65kg (without accessories)
Product size	1195*265*224mm

3. Safety Advices & Cautions

3.1 About the manual

Before using this product, please read all the contents of this manual carefully and install the machine according to the steps of this manual. Keep this manual properly. If you transfer the product to a third party for use, please enclose this manual together with the machine. Any operation that is inconsistent with the instructions in the manual may cause serious personal injury or damage to the product itself. Losses caused by not operating in accordance with the guidelines of this manual have nothing to do with our company. This product is only suitable for operation and use in a home environment, not for industrial or outdoor use.

3.2 About the use mark in the manual

Please pay special attention to the instructions that are very important to your personal safety. Please be sure to read them carefully to avoid accidents and possible damage to the product.



Caution

Remind you of the risk of harm to your health and safety.



Tips

Remind you of tips and help that may be useful to this product.



Note

Remind you of the risk of injury to this product or other objects.

3.3 About the power supply

This product uses 220V AC power. Do not use connected equipment that exceeds the power supply or exceeds the specified value.

Need to pay special attention to the following:



If you find that the power cord or plug is damaged, the power socket is loose, and the power plug does not match the socket, do not use the machine, otherwise it may cause electric shock, overheating, and fire;

Do not pull the power cord or power plug, do not over-twist or twist the cord; do not clamp the power cord or place heavy objects on the power cord when closing the door;

When the power cord or plug is damaged, please do not use this machine, please contact the dealer where you purchased this product;

Do not touch the power plug with wet hands, as this may cause electric shock;

If you do not use this product for a long time, turn off the power and unplug the power plug;

Clean the power plug regularly to remove the dust on the plug.

Note that this operation must first unplug the power cord and then wipe it with a dry cloth.

3.4 About child safety



This appliance is not intended for use by persons (including children) with reduced physical, sensory or mental capabilities, or lack of experience and knowledge, unless they have been given supervision or instruction concerning use of the appliance by a person responsible for their safety.

Children should be supervised to ensure that they do not play with the appliance.

3.5 About use range of product

This product is suitable for the cleaning of ordinary floors, carpets, curtains, etc. in the indoor environment. It is forbidden to apply this product to any other surface that is not within the design range;



The following conditions are absolutely prohibited and special attention:

1. The hair, fingers and other parts of the body may touch the internal parts and cause electric shock or injury;
2. The corners of clothing and parts of clothing (such as neckties, silk scarves, etc.) may be pulled into the machine and cause danger;
3. Unextinguished soot, burning cigarette butts or matches may cause a fire;
4. Sharp objects, such as glass fragments, pins, paper clips, etc., these objects may damage the filter;
5. Water or other liquids, especially carpet cleaning solutions, internal moisture or water may cause electrical short-circuit;
6. Toner and toner used inside laser printers and copiers may cause fire or explosion;
7. A large amount of plaster, cement, large pieces of paper, etc., which may block the filter, must be cleaned in time;
8. Do not use this product near or on the surface of flammable and explosive objects, which may cause fire and explosion risks;
9. Do not use this product outdoors, it may be damaged due to rain or dirt seeping into the machine;
10. Do not hang or place any objects on the air outlet. Clean up the dust, hair and other broken objects at the air outlet in time, which may block the air outlet, reduce the air flow and cause the machine to overheat;
11. When using and storing the machine, please do not approach heat sources such as ovens, fireplaces, etc., which will cause deformation and damage to the machine shell;
12. When cleaning the stairs, please pay extra attention to safety and use caution to prevent falling;
13. Do not get the body wet, otherwise fire and electric shock may occur due to a short circuit of the machine.



Note

The product cannot absorb carbon powder and lead powder on the battery; it cannot be used in dangerous places or industrial production places; it cannot be used for special vacuuming of non-floor, ordinary ground and carpet, otherwise it will cause damage to the product or even explode!

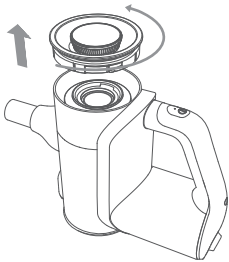
3.6 Solution of the product issue

If the power cord is damaged or the machine fails, please do not repair it yourself, which may cause personal injury; please contact the company's after-sales service department or the company's designated professional maintenance organization, professional maintenance personnel provide after-sales service or repair under the guidance of professionals .

4. Product description

4.1 Product description

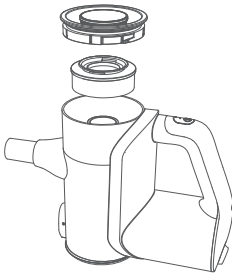
Dust Cup Components Installation Instructions



Remove/install the upper cover of the dust cup

Remove: Hold the center of the top cover of the dust cup, turn the top cover of the dust cup counterclockwise until it cannot be rotated, and lift the top cover of the dust cup to remove the top cover of the dust cup.

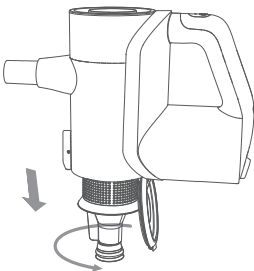
Installation: Hold the center of the upper cover of the dust cup, put it into the slot of the upper cover of the dust cup, and turn the upper cover of the dust cup clockwise until it cannot be selected. Then the installation of the upper cover of the dust cup is completed.



Filter HEPA removal/installation

Remove: Hold the filter HEPA center and lift it up to remove it.

Installation: Hold the filter HEPA center and place it flat on the filter port to complete the installation.



Filter cone removal/installation

Remove: Hold the filter cone, rotate it clockwise until it can't rotate, and pull down to remove the filter cone.

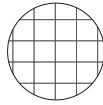
Installation: Hold the filter cone, accurately place the filter cone into the slot, and rotate it counterclockwise until it cannot rotate, that is, the filter cone is installed successfully.

Introduction to the use of ultra-thin floor brush

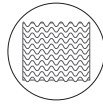
The ultra-thin floor brush can be applied to the following floor cleaning:



Floor

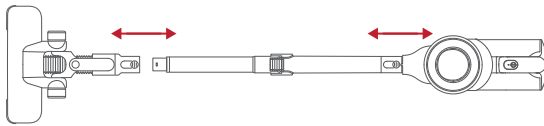


Ceramic tile



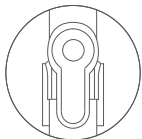
Carpet

Push one end of the round mouth of the ultra-thin floor brush into the buckle of the elbow elbow to ensure that it is tight and not loose. After hearing a "click", the installation is successful. To remove the ultra-thin floor brush, hold the ultra-thin floor brush in one hand and pull out while pressing the release button in the other hand.

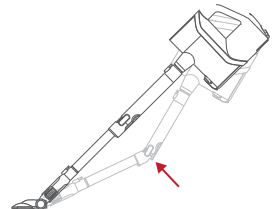
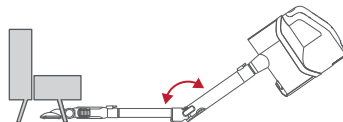
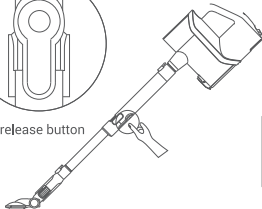


Instructions for use of elbow tube

1. During use, press the elbow tube bending release button and push the main unit down accordingly to make the elbow tube bend;
2. After bending, push the ultra-thin floor brush to go deep into the bottom of the furniture for cleaning;
3. Pull up the main body, the elbow tube can return to the straight state (the bend release button can lock the front and back ends of the elbow tube).



Bend release button



2 in 1 wide mouth brush use introduction

Suitable for cleaning keyboard, car interior, ceiling/chandelier, wall corner/gap, curtain/knitting, etc.



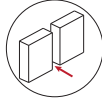
Keyboard



Car interior



Ceiling/chandelier



Corner/Gap



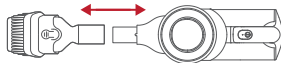
Curtain/knit

Pull out method: press and hold the button and pull along the arrow until it makes a "click"

Retraction method: press and hold the button while retracting

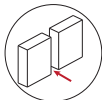


The 2 in 1 wide mouth brush can be plugged into the main body for use (you can also connect the elbow tube and then the main body to meet the needs of large-area cleaning).



Introduction of flat nozzle

It is suitable for cleaning small places, such as corners/crevices, and also for cleaning keyboards, car interior, ceilings/chandeliers, sofas/clothes, etc.



Corner/Gap



Keyboard



Car interior

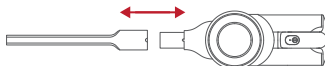


Ceiling/chandelier



Sofa/Fabric

The flat suction nozzle can be plugged into the host (also can be connected to the elbow elbow and then connected to the host to meet the large area cleaning use).




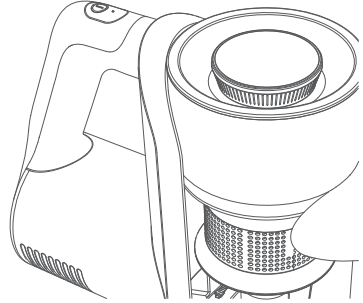
4.2 Operating instruction

1. Preparation

Before use, please check whether the power cord plug is energized. According to the cleaning area, choose accessories as needed. (See "Instructions for Brush")

2. Start working

The on/off button of this machine is a button marked with . After pressing this button, the machine starts to work; if you need to stop working, press the button again.



5. Maintenance instructions

5.1 Daily maintenance

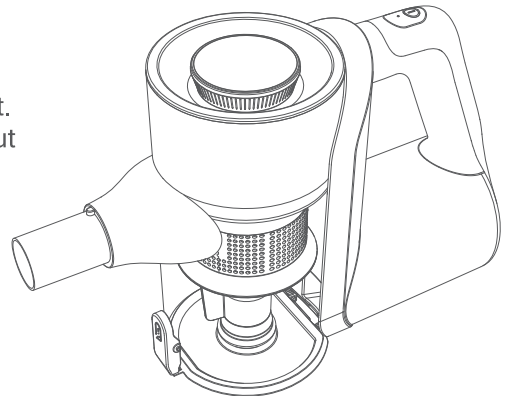
In order not to affect the performance of the machine, it is recommended that you regularly maintain its components.

Main body (handheld part)

Before cleaning, please stop the machine.

Scrub with water or neutral detergent. Before scrubbing, be sure to wring out the cleaning cloth. Do not let water penetrate into the vacuum cleaner components.

After cleaning, be careful not to put the machine in direct sunlight or humid places.

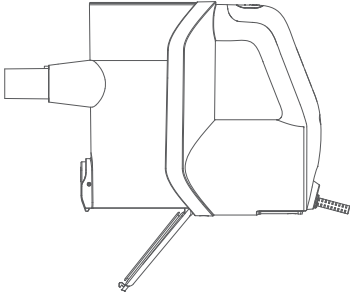


Dust Cup and Filter

The dust cup of this product is designed with a transparent structure. Please pay attention to the dust collection status of the dust cup and filter in time, and clean it regularly to ensure the performance of the product.

Clean the dust cup

When the dust cup is full of garbage, please clean the dust cup as soon as possible; or clean the dust cup on time. In order to clean the dust cup more conveniently, it is recommended that you remove the elbow tube and other accessories when cleaning.



1. After stopping the machine, push down the dust cup release button at the bottom of the dust cup to take out the garbage (as shown in the figure).

2. If you find stubborn dirt on the inner wall of the dust cup, remove the filter cone for further cleaning.

3. The top cover of the dust cup and filter HEPA also need to be cleaned regularly.

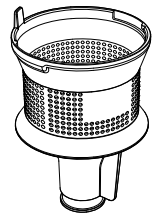


Generally, after wiping the dust cup accessories with a damp cloth, wait until the dust cup is completely dry before reinstalling it back into the body. The filtered HEPA can be washed with water. After washing, it must be thoroughly dried before reinstalling it in the body. (For the removal/installation of the components of the dust cup, refer to 4.1 Installation Instructions for Dust Cup Components)

Clean the filter

In order to ensure the performance of the product, it is recommended that you clean it regularly.

Remove the filter cone from the dust cup (the honeycomb cone is not removable), and rinse it directly with clean water. After cleaning and drying, put it back in the dust cup.



Rinse the filter with water. After the filter is completely dry, replace it in the dust cup.

Clean the inlet HEPA components

In order to ensure the performance of the product, it is recommended that you clean it regularly.

1. Hold the dust cup and unscrew the lid of the dust cup to see the air inlet HEPA components. Refer to the unlock mark above to remove the air inlet HEPA and dust off the HEPA.



2. If too much dust accumulates, you can simply rinse it with water and dry it thoroughly before loading it into the body.



When cleaning the inlet HEPA, it is recommended to use cold water and dry it thoroughly before putting it back into the body.

Clean the ultra-thin floor brush

It is recommended to clean the ultra-thin floor brush after 4-5 times of vacuuming.

- Turn off the power switch.
- Remove the floor brush.
- Tear off the tangled hair, animal hair or debris on the brush head and dust off.
- Reinstall the floor brush back to the main body.

5.2 Analysis and treatment of common faults

Error/Fault	Possible Cause	Solution
Vacuum is not working	<ol style="list-style-type: none">1. The power cord plug is not firmly inserted2. The power socket is not powered3. Any part is blocked	<ol style="list-style-type: none">1. Unplug the plug and plug it back into the power outlet2. Check other lines at home3. Locate and clean the blockages
Reduced Suction	<ol style="list-style-type: none">1. Dust cup and filters are overfilled.2. The brush, tube, main suction port, etc. are blocked by hair and debris	<ol style="list-style-type: none">1. Empty the dust cup and wash the filters2. Clean up blockages to ensure unobstructed air intake
Unusual Noises	The main tube is blocked	<ol style="list-style-type: none">1. Locate and clean the blockages2. Contact customer service

If the vacuum cleaner still does not work properly, please contact the dealer at the time of purchase.

Beijing Puppy Vacuum Cleaner Group Co., Ltd.

Address: 7-605, 6th floor, No. 1 Building, No. 8 Courtyard, Guanghua Road, Chaoyang District, Beijing, China.
TEL.: 86-10-5741 7619
Email: puppyoo@moomv.com
Zip Code: 100101

Made in China